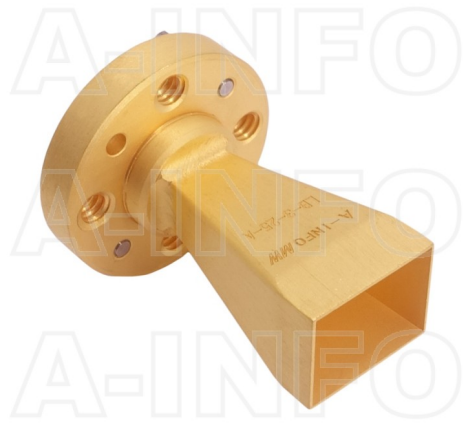


LB-3-25-A Standard Gain Horn Antenna 220-325GHz 25dB Gain Rectangular Waveguide Interface



Standard Gain Horn Antenna Operating From 220GHz to 325GHz With a Nominal 25dB Gain With Rectangular Waveguide Interface

Product Information

SKU	LB-3-25-A
-----	-----------

Description

Standard Gain Horn Antenna LB-3-25-A, operating from 220 to 325GHz with a nominal 25dB gain and low VSWR 1.15:1 with APF3 output. The model LB-3-25-A has uniform gain through its frequency span, providing efficient performance characteristics and directionality. Constructed of lightweight corrosion-resistant aluminum, the antenna will provide years of trouble-free indoor and outdoor service. This standard gain horn antenna is linearly polarized and ideally suited for EMI testing, direction finding, surveillance, antenna gain and pattern measurements and other applications.

Technical Specification

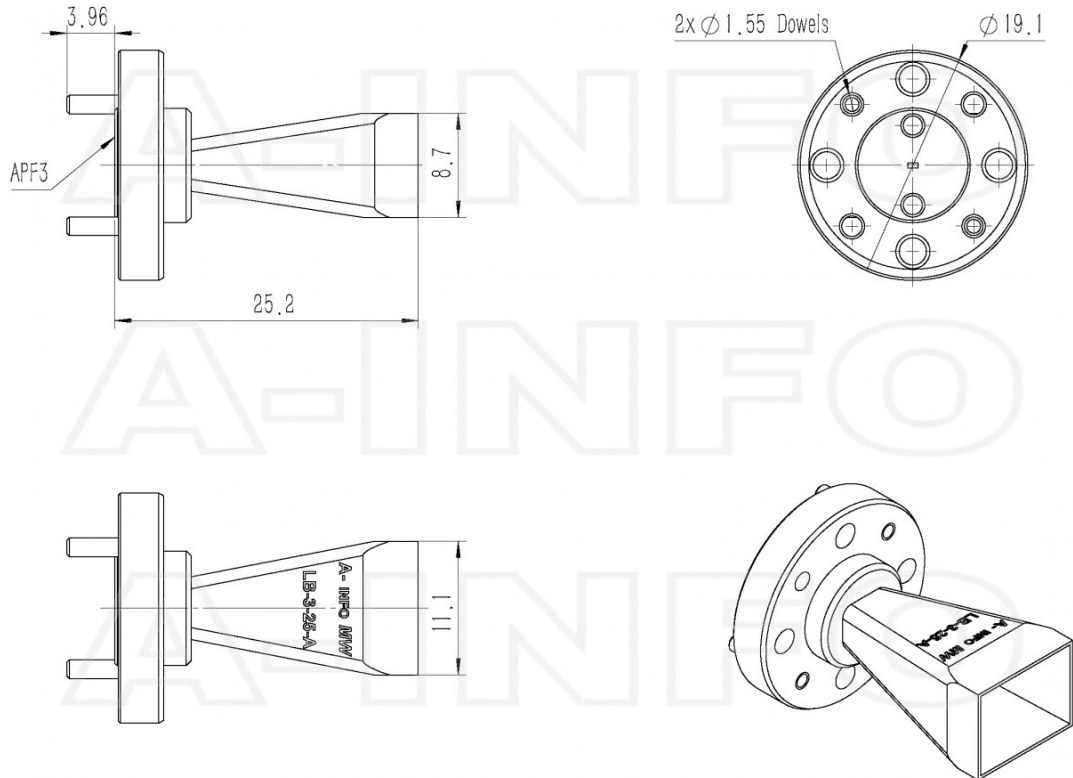
Electrical Specification		Interface	
Frequency, Min (GHz)	220	Output Type	Waveguide
Frequency, Max (GHz)	325	Flange Style	Round
Waveguide Type	Rectangular	Flange Type	Cover
Waveguide Size EIA WR	WR3	Flange Designation	APF3
Gain, Typ (dBi)	25	Mechanical Specification	
Polarization	Linear	Figure	A Type
3dB Beamwidth, E-Plane, Typ (Deg.)	8	Body Material	Cu
3dB Beamwidth, H-Plane, Typ (Deg.)	9	Finish	Gold Plated
Cross Pol. Isolation, Typ (dB)	35	Size, W (mm)	19.1
VSWR, Typ	1.15:1	Size, H (mm)	19.1
		Size, L (mm)	25.2
		Weight, (kg)	0.01

Additional Information

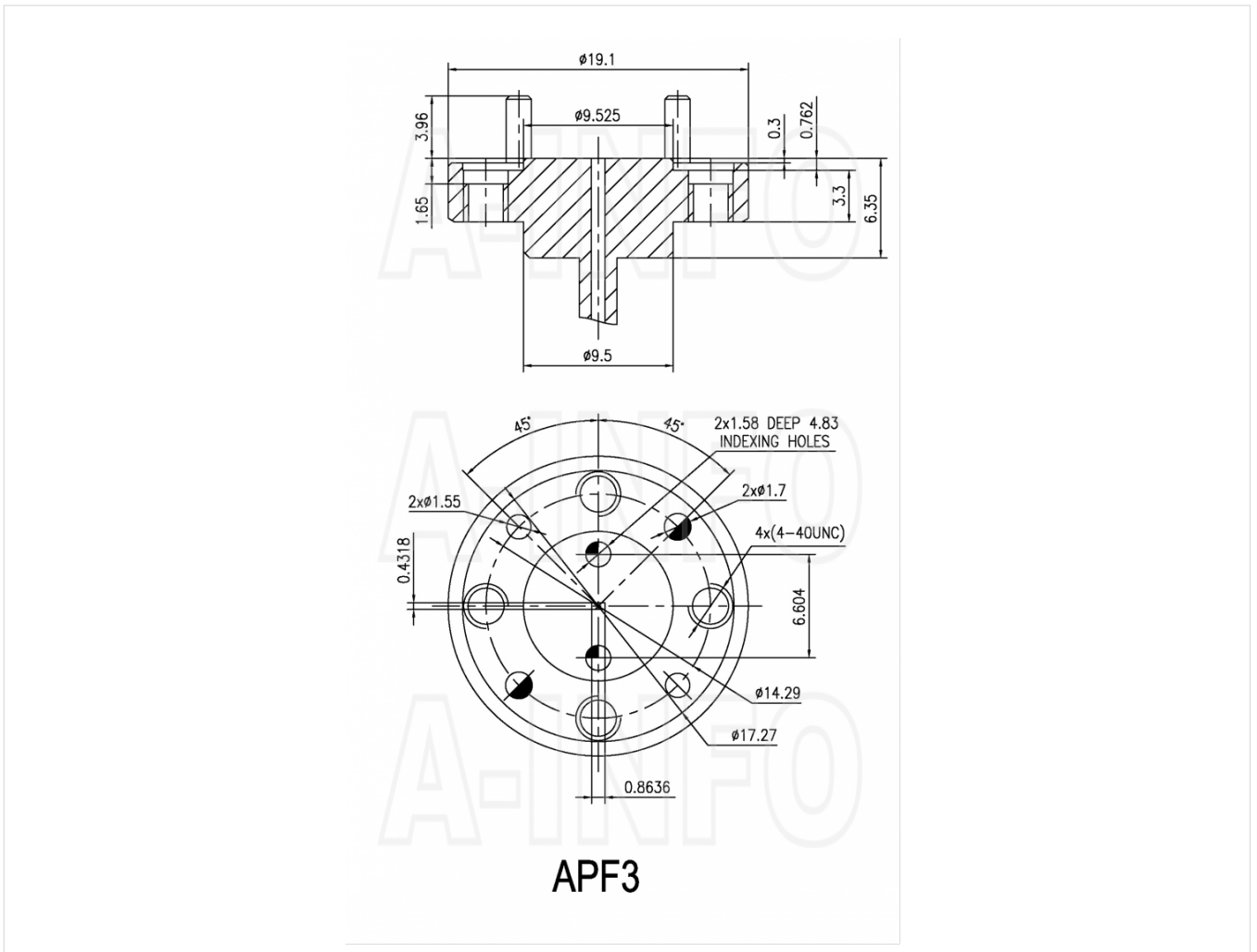
Application	General Purpose Indoor & Outdoor, Fixed	Solution for	Gain Reference Antenna Measurement Reflector Feed Far-field Measurement System Intergration Material Measurement
-------------	---	--------------	---

Outline Drawing

APF3 Output (P/N: LB-3-25-A)

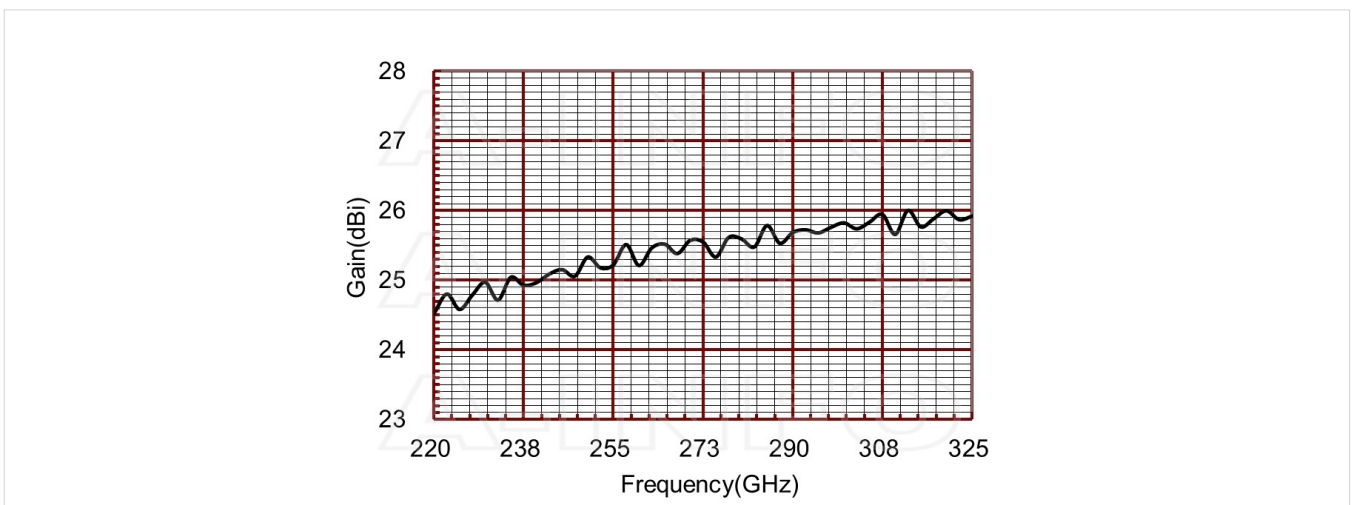


Flange Drawing

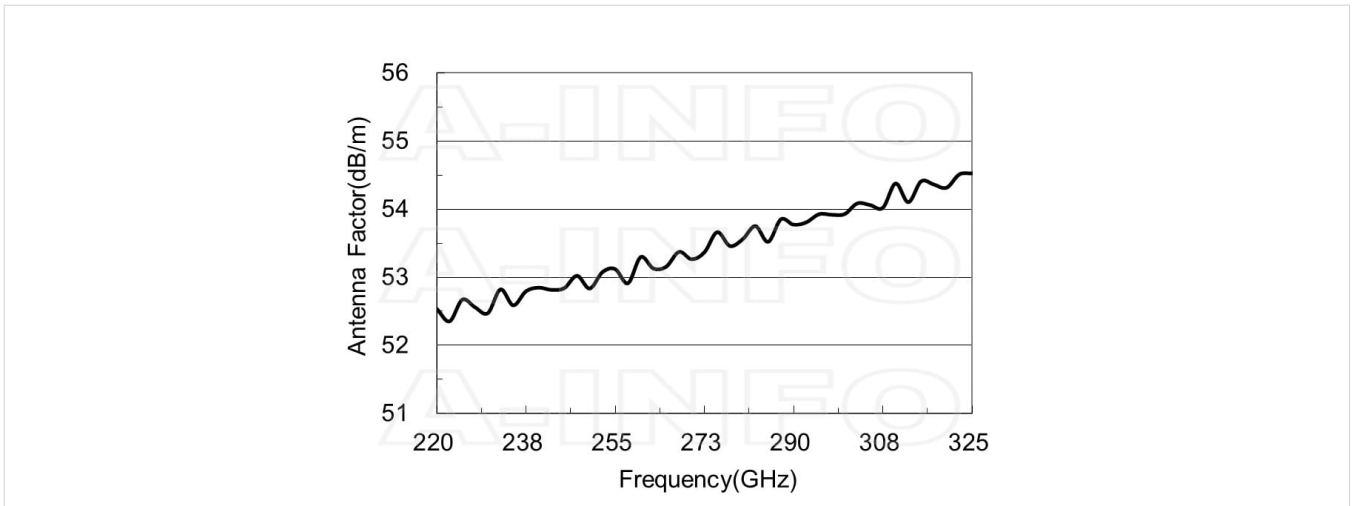


Typical Test Results

Gain



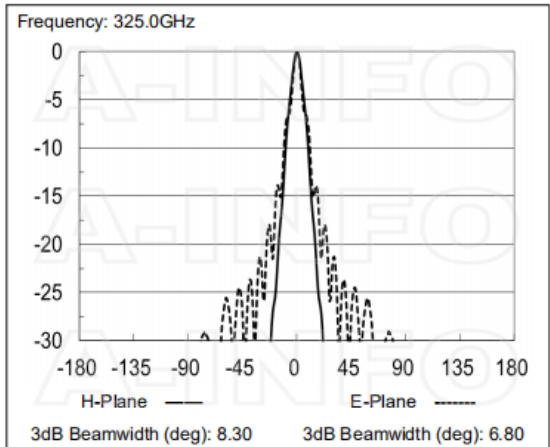
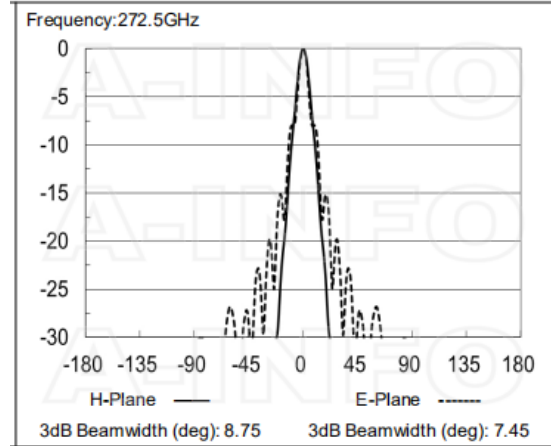
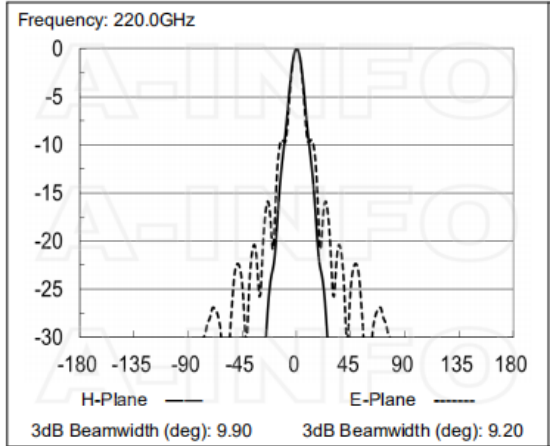
Antenna Factor



Antenna Factor (Table)

Frequency (GHz)	Gain (dBi)	Antenna Factor (dB/m)	Frequency (GHz)	Gain (dBi)	Antenna Factor (dB/m)
220.0	24.52	52.54	275.0	25.33	53.66
222.5	24.80	52.35	277.5	25.62	53.46
225.0	24.58	52.67	280.0	25.60	53.56
227.5	24.79	52.56	282.5	25.48	53.75
230.0	24.97	52.47	285.0	25.79	53.52
232.5	24.72	52.82	287.5	25.53	53.85
235.0	25.04	52.59	290.0	25.69	53.77
237.5	24.93	52.80	292.5	25.73	53.81
240.0	24.97	52.85	295.0	25.68	53.93
242.5	25.09	52.81	297.5	25.76	53.92
245.0	25.15	52.84	300.0	25.82	53.93
247.5	25.06	53.02	302.5	25.74	54.08
250.0	25.33	52.83	305.0	25.84	54.06
252.5	25.18	53.08	307.5	25.95	54.02
255.0	25.22	53.12	310.0	25.66	54.38
257.5	25.51	52.91	312.5	26.00	54.10
260.0	25.21	53.30	315.0	25.77	54.41
262.5	25.47	53.13	317.5	25.88	54.36
265.0	25.52	53.15	320.0	26.00	54.31
267.5	25.38	53.37	322.5	25.87	54.51
270.0	25.57	53.26	325.0	25.92	54.53
272.5	25.55	53.37			

Pattern



Related Products



HSCS_4-40UNC_Pack Assembly Pack

Similar Products



LB-3-15-A Standard Gain Horn
Antenna 220-325GHz 15dB Gain
Rectangular Waveguide Interface



LB-3-20-A Standard Gain Horn
Antenna 220-325GHz 20dB Gain
Rectangular Waveguide Interface



LB-4-10-A Standard Gain Horn
Antenna 170-260GHz 10dB Gain
Rectangular Waveguide Interface



LB-4-25-A Standard Gain Horn
Antenna 170-260GHz 25dB Gain
Rectangular Waveguide Interface

About this Datasheet

<ul style="list-style-type: none"> ● Product Information Product Link: https://www.ainfoinc.com/lb-3-25-a-standard-gain-horn-antenna-220-325-ghz-25db-gain-apf3 Data subject to change without notice. © A-INFO INC. 2023. All Rights Reserved 	<ul style="list-style-type: none"> ● Contact Us Address: 60 Tesla, Irvine, CA 92618, USA Website: www.ainfoinc.com Email: sales@ainfoinc.com 	<ul style="list-style-type: none"> ● Phone & Fax Phone: +1-949-639-9688 +1-949-639-9608 Fax: +1-949-639-9670
---	--	---